

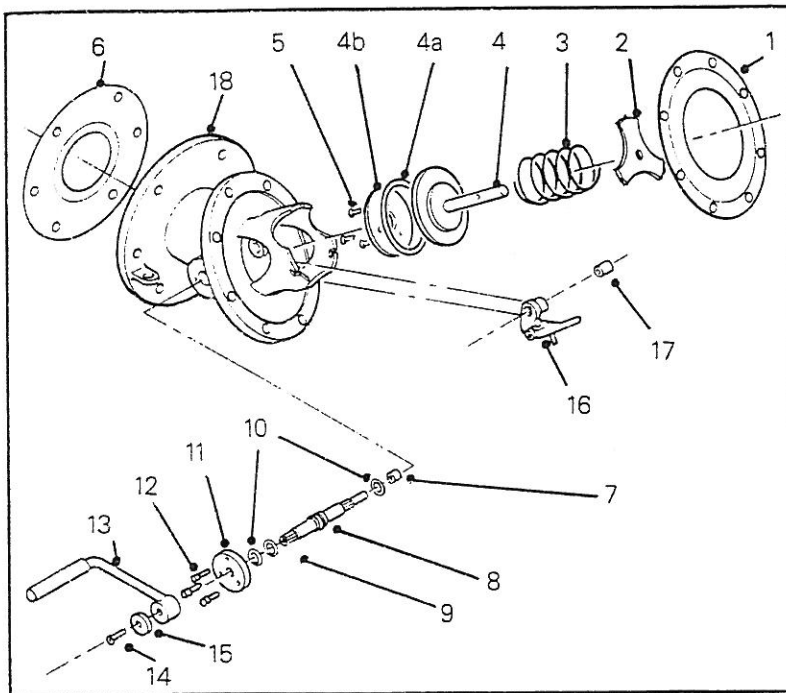
10. BOTTOM VALVES

10.1 Foot Valve

Not Acceptable Damage

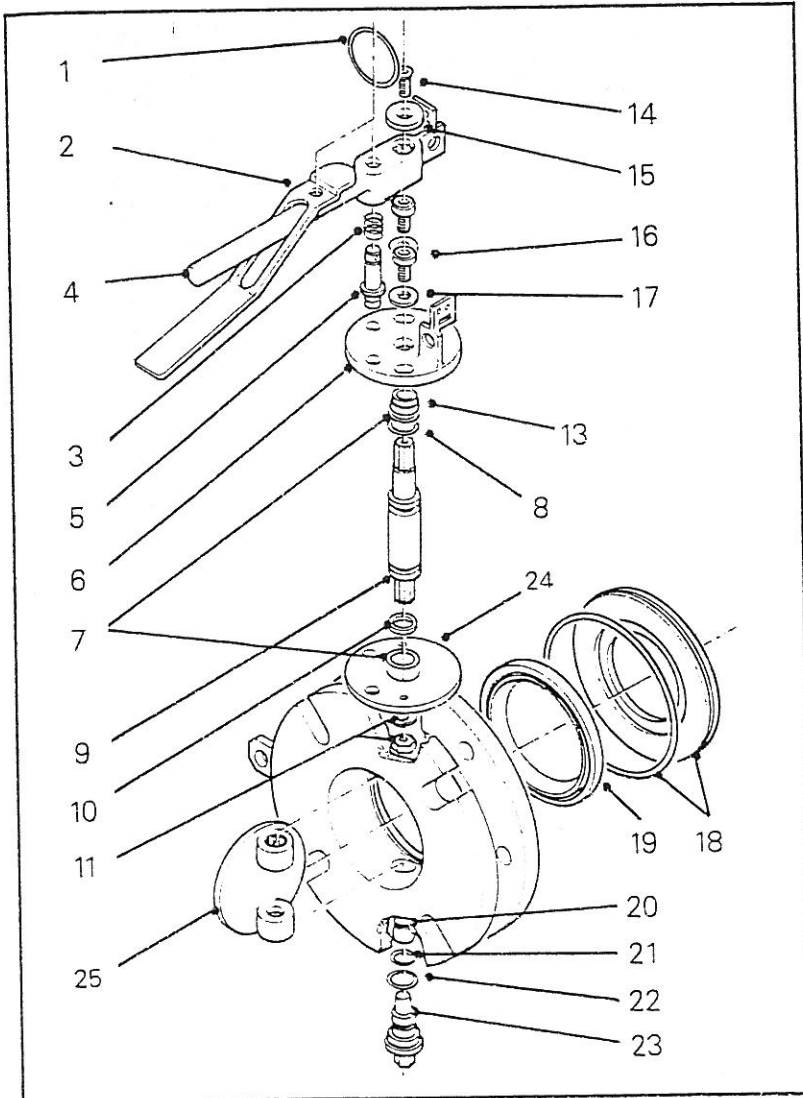
- Leaks
- Contamination
- Damage or distortion affecting correct operation or sealing
- Improper repairs, seals or gaskets

Note: Standard seals and gaskets: See Section 14

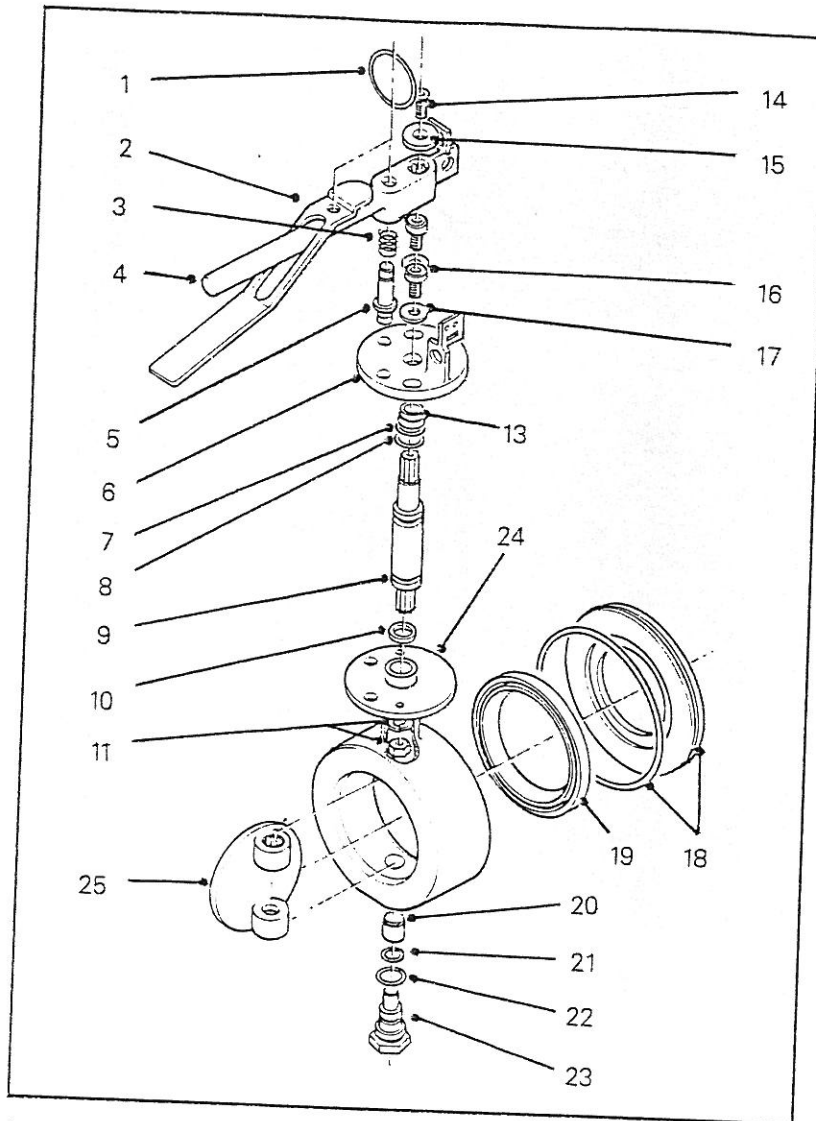


Item	Description
1	PTFE/CAF valve to tank gasket
2	Bayonet cap
3	Spring
4	Poppet seal housing
4a	Fortyt Pressure Plate 'O' ring
4b	Pressure plate clamp - Fortyt
Not shown	Pressure plate clamp - Viton
	Viton pressure plate 'O' ring
5	3 x screw - M6 x 12
6	PTFE/CAF valve to ball valve gasket 6 hole
7	PTFE spindle bush
8	Spindle
9	Viton 'O' ring
10	2 x PTFE 'O' ring
11	Stuffing clamp
12	3 x capscrew - M6 x 16
13	Operating handle
14	Screw - M6 x 16
15	Washer
16	Crank block assembly
17	Sleeve
18	Body - Type 825,826 - Type 825/1,826/1

Butterfly Valve 3 inch flanged



Item	Description
1	Pull ring
2	Handle lever
3	Spring
4	Handle (L.H.)
5	Handle location pin
Not shown	Handle Assembly (R.H.)
6	Stuffing clamp flange c/w TIR
Not shown	Stuffing clamp flange without TIR
7	2 x PTFE 'O' ring
8	Viton 'O' ring
9	Spindle
10	Spindle seat
11	2 x spring washer - M8 2 x nut - M8
13	PTFE bush
14	Screw - M6 x 16
15	Washer
16	2 x capscrew - M8 x 20
17	2 x washer - M8
18	Seal clamp Nitrile 'O' ring
19	PTFE seal
20	PTFE lower spindle bush
21	PTFE 'O' ring
22	PTFE 'O' ring
23	Lower spindle
24	Body
25	Closure plate



Item	Description
1	Pull ring
2	Handle lever
3	Spring
4	Handle (L.H.)
5	Handle location pin
Not shown	Handle Assembly (R.H.)
6	Stuffing clamp flange c/w TIR
Not shown	Stuffing clamp flange without TIR
7	2 x PTFE 'O' ring
8	Viton 'O' ring
9	Spindle
10	Spindle seat
11	2 x spring washer - M8
	2 x nut - M8
13	PTFE bush
14	Screw - M6 x 16
15	Washer
16	2 x capscrew - M8 x 16
17	2 x washer - M8
18	Seal clamp
18	Nitrile 'O' ring
19	PTFE seal
20	PTFE lower spindle bush
21	PTFE 'O' ring
22	PTFE 'O' ring
23	Lower spindle
24	Body
25	Closure plate

- con. cargo