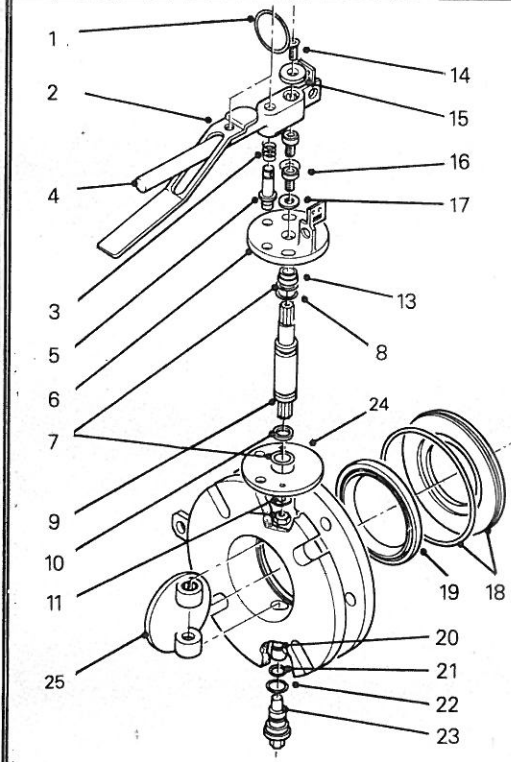
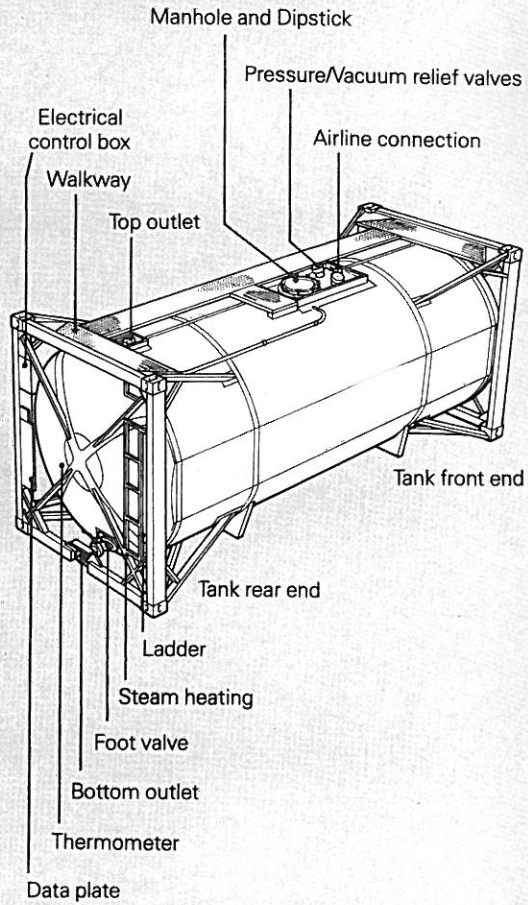
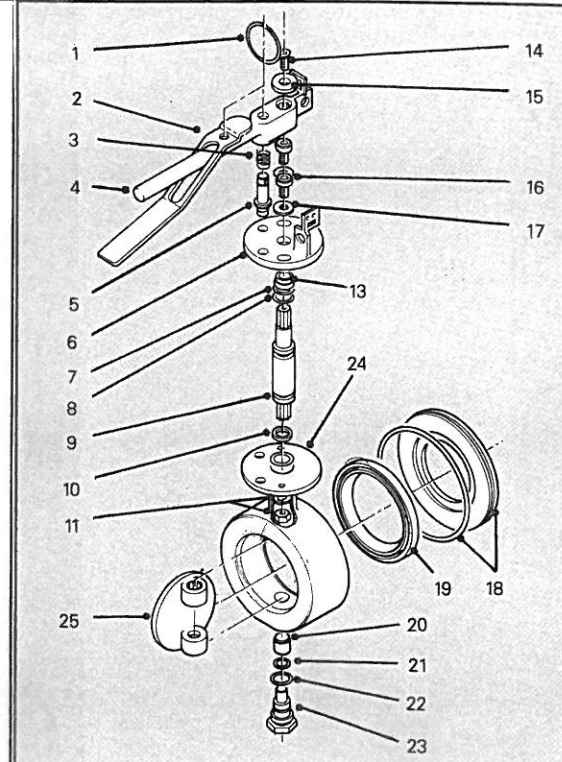


## Butterfly Valve 3 inch flanged



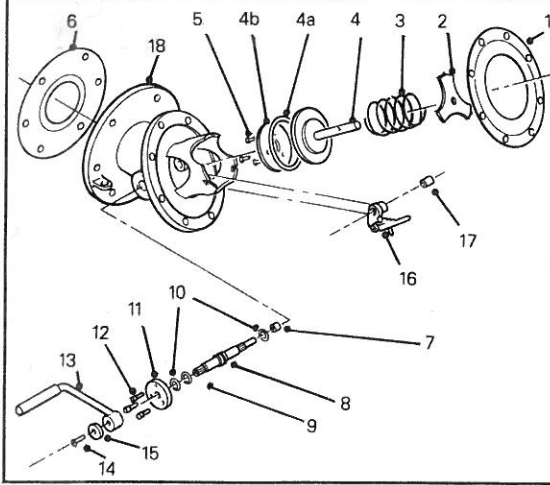
Item	Description
1	Pull ring
2	Handle lever
3	Spring
4	Handle (L.H.)
5	Handle location pin
Not shown	Handle Assembly (R.H.)
6	Stuffing clamp flange c/w TIR
Not shown	Stuffing clamp flange without TIR
7	2 x PTFE 'O' ring
8	Viton 'O' ring
9	Spindle
10	Spindle seat
11	2 x spring washer - M8 2 x nut - M8
13	PTFE bush
14	Screw - M6 x 16
15	Washer
16	2 x capscrew - M8 x 20
17	2 x washer - M8
18	Seal clamp
18	Nitrile 'O' ring
19	PTFE seal
20	PTFE lower spindle bush
21	PTFE 'O' ring
22	PTFE 'O' ring
23	Lower spindle
24	Body
25	Closure plate

## Bottom Outlet Valve



Item	Description
1	Pull ring
2	Handle lever
3	Spring
4	Handle (L.H.)
5	Handle location pin
Not shown	Handle Assembly (R.H.)
6	Stuffing clamp flange c/w TIR
Not shown	Stuffing clamp flange without TIR
7	2 x PTFE 'O' ring
8	Viton 'O' ring
9	Spindle
10	Spindle seat
11	2 x spring washer - M8 2 x nut - M8
13	PTFE bush
14	Screw - M6 x 16
15	Washer
16	2 x capscrew - M8 x 16
17	2 x washer - M8
18	Seal clamp
18	Nitrile 'O' ring
19	PTFE seal
20	PTFE lower spindle bush
21	PTFE 'O' ring
22	PTFE 'O' ring
23	Lower spindle
24	Body
25	Closure plate

## BOTTOM VALVES



Item	Description
1	PTFE/CAF valve to tank gasket
2	Bayonet cap
3	Spring
4	Poppet seal housing
4a	Fortyt Pressure Plate 'O' ring
4b	Pressure plate clamp - Fortyt
Not shown	Pressure plate clamp - Viton
Not shown	Viton pressure plate 'O' ring
5	3 x screw - M6 x 12
6	PTFE/CAF valve to ball valve gasket 6 hole
7	PTFE spindle bush
8	Spindle
9	Viton 'O' ring
10	2 x PTFE 'O' ring
11	Stuffing clamp
12	3 x capscrew - M6 x 16
13	Operating handle
14	Screw - M6 x 16
15	Washer
16	Crank block assembly
17	Sleeve
18	Body - Type 825.826 - Type 825/1.826/1